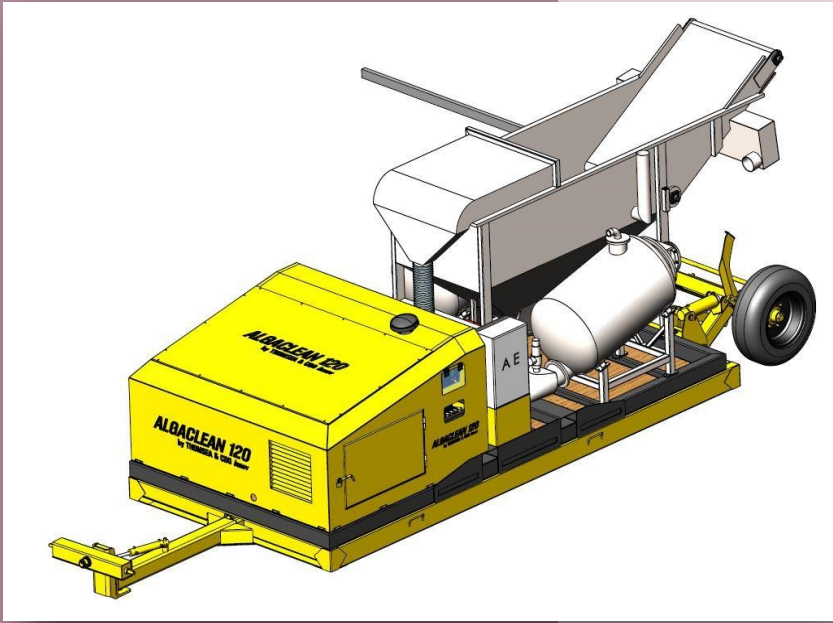


# CDO INNOV - ALGACLEAN



EXCLUSIVE SALES REPRESENTATIVE  
BELIZE



## Options

- ☐ Inox drainer
- ☐ Lifting crane
- ☐ Big bag storage
- ☐ Transit
- ☐ Tracking drone
- ☐ Modem with sim card
- ☐ Pipes with floating parts
- ☐ Possibility to use the AMP17 or ECOLEADER with the ALGACLEAN to go into certain small areas to clean and collect more effectively.

## CDO Innov Expertise

Global warming and intensive agriculture have consequences - more and more invasive plants, seaweeds and marine pollution are becoming present. CDO INNOV understands that this is an escalating problem that needs effective and innovative solutions, and has made it a top priority to address those issues.

CDO INNOV offers a large panel of innovative solutions to different problems, respective to the environment around us.

CDO INNOV intervenes in various domains to resolve the disparate forms of pollution with innovative solutions such as ALGACLEAN and NOVACLEAN to name a few.

## ALGACLEAN

### An Innovative Solution to Sargassum

In our role as Asset Managers, working on behalf of hotel owners to address issues they are faced, has led us to identify potential solutions for the Sargassum inundation faced by many beach resorts.

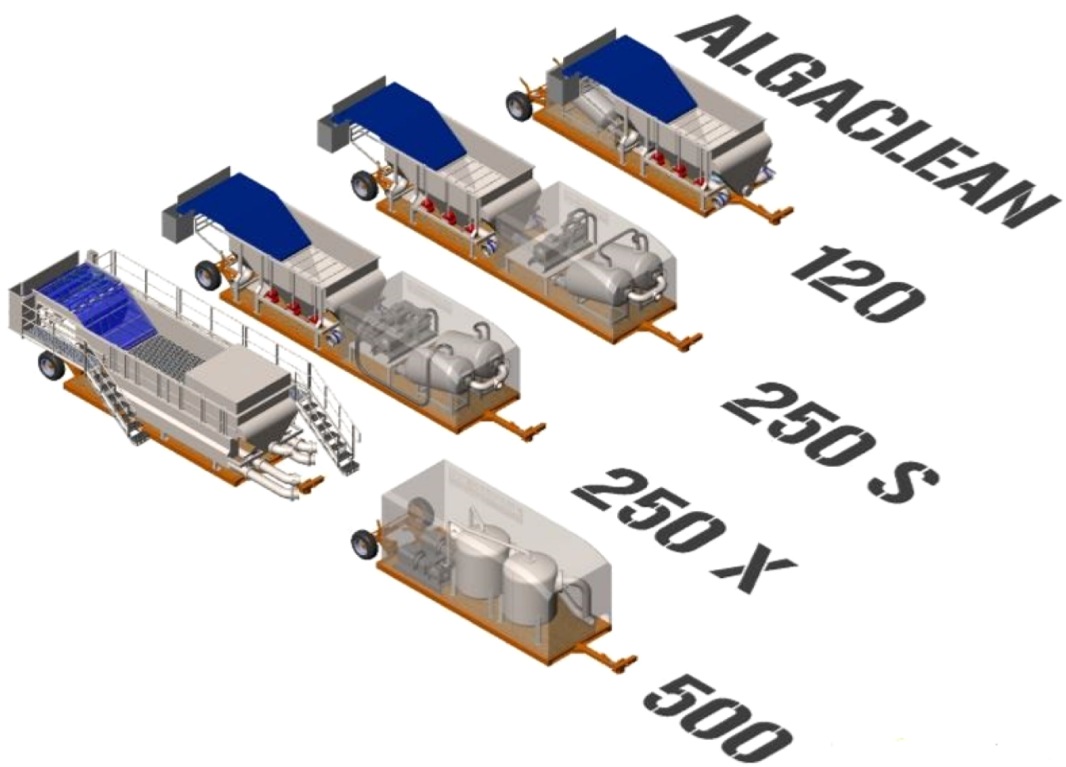
To this effect we have been working closely with a French manufacturer "CDO Innov" and their engineering department to develop a suitable solution that would fit Hotels and Resort specific needs.

We are now happy to represent CDO Innov as their sales representative and to present "ALGACLEAN", an innovative, reliable and sustainable solution to Algae and Sargassum invasion.

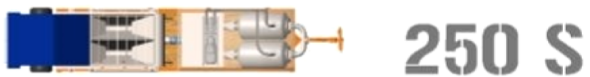
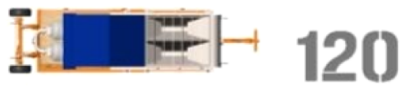
ALGACLEAN is available onshore, offshore, in different sizes and capacities, whilst the collection process is performed by suction in the water.

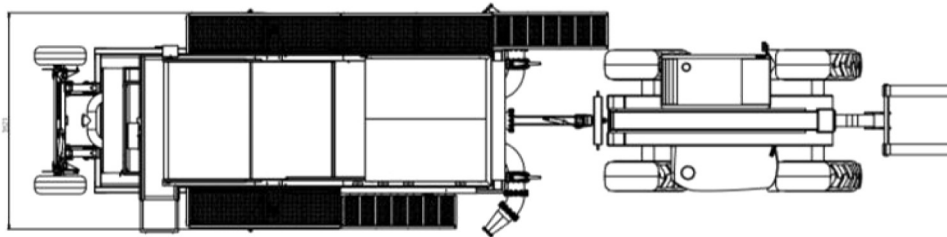
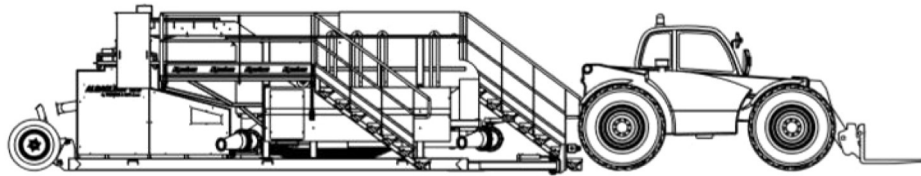
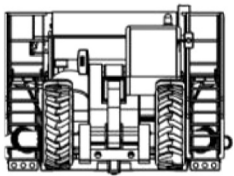
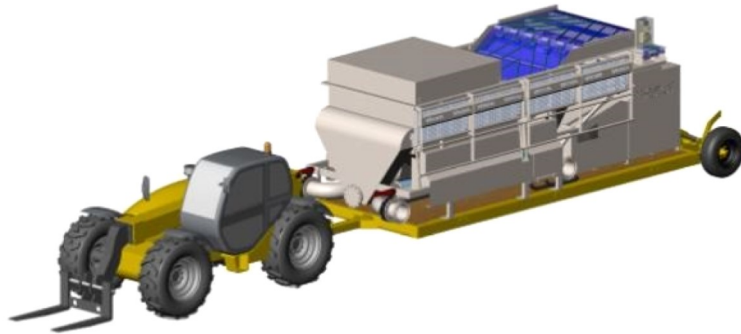
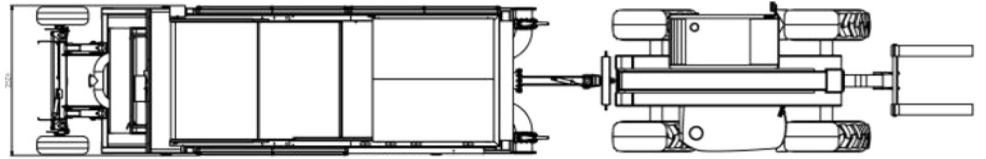
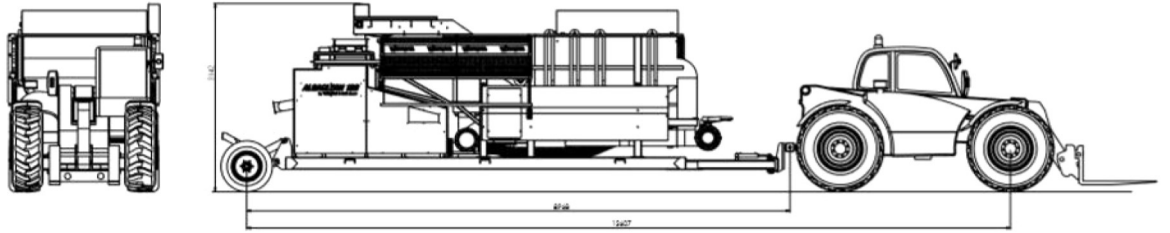
The "ALGACLEAN 120" has been specifically designed to satisfy hotels and resorts needs facing access constraints. The patented system and equipment are made from high quality material which guarantees its robustness and efficiency while on the job. A strong focus has been made on ensuring reduced maintenance and operating costs as well as minimal manpower and training requirements.

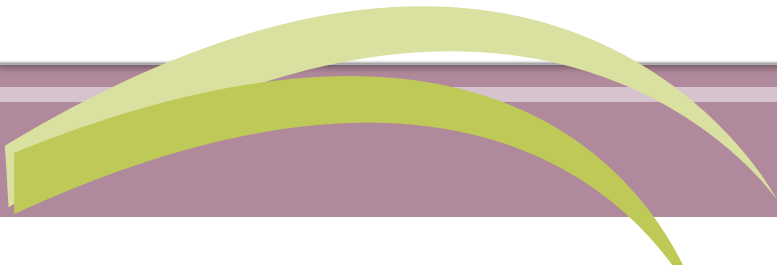
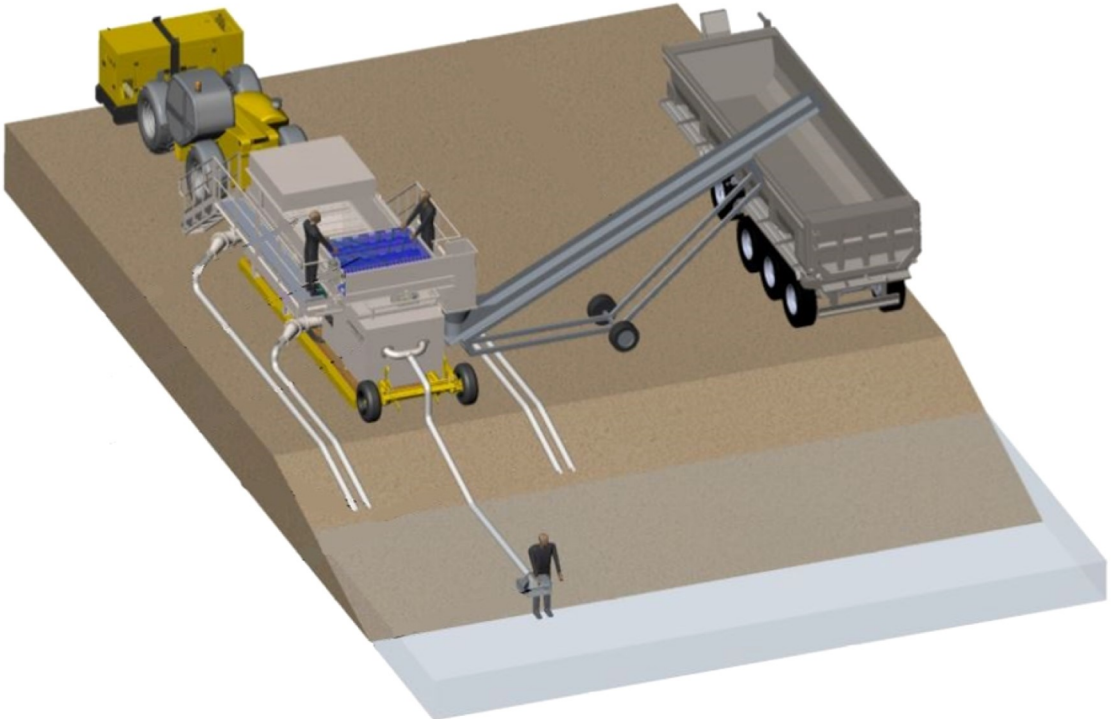
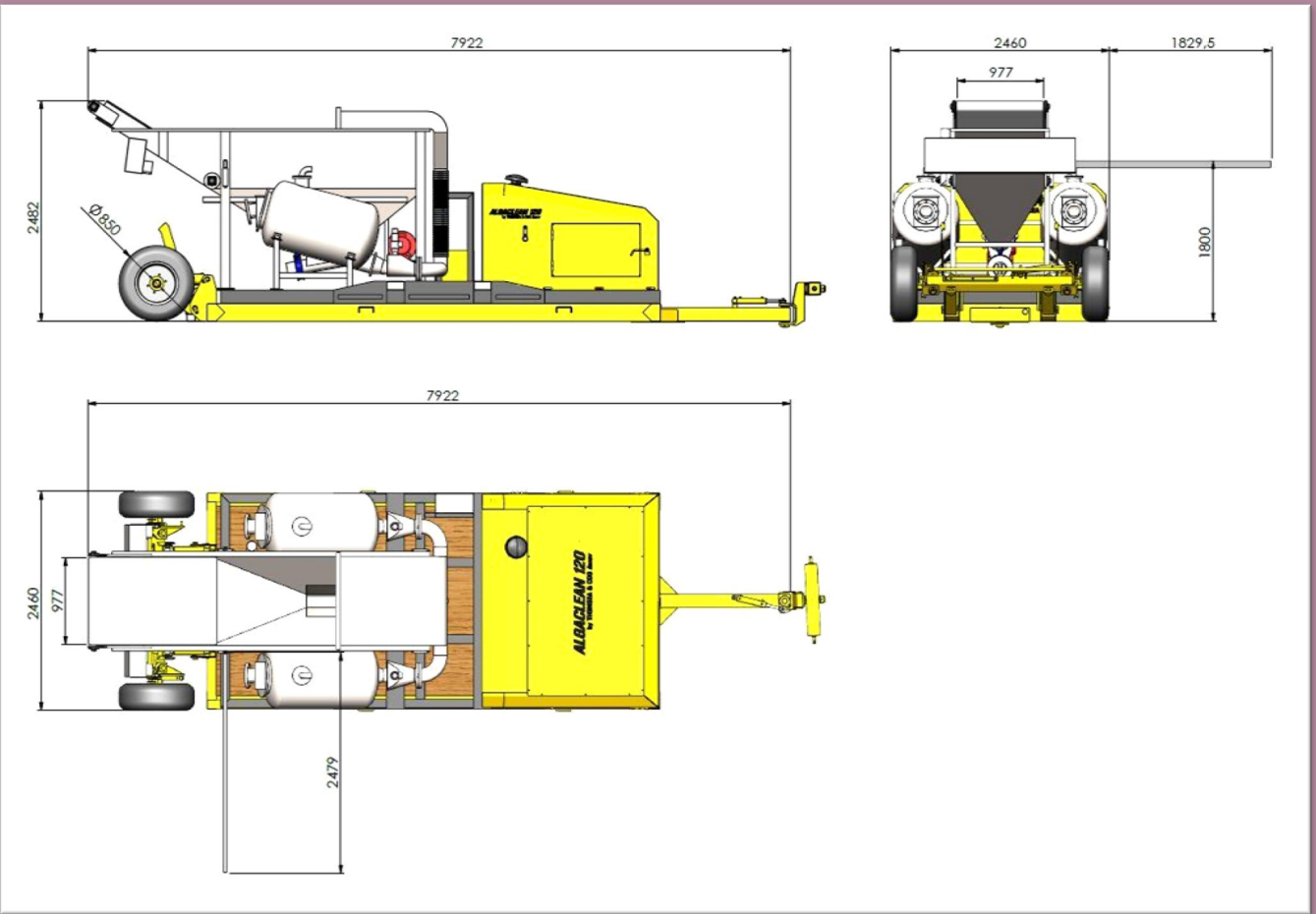
ALGACLEAN equipment went through an extensive assessment process conducted by the European Commission and was granted with a "Seal of Excellence" in November of 2017.



## ALGACLEAN







## PARTNERS



[www.cdoinnov.fr](http://www.cdoinnov.fr)

Silver Oaks Asset Management

Office: Flamingo Ave, San Ignacio Town, Cayo,  
Belize C.A.

Mobile: +501 824-2696

Email: [info@silveroaksasset.com](mailto:info@silveroaksasset.com)  
[www.silveroaksasset.com](http://www.silveroaksasset.com)